

The FSML Water Flow Regulator

INCREASED PRODUCTIVITY

NEVER BEFORE SO SIMPLE

Easily and Quickly Mounted
Easily and Quickly Piped
Easily and Quickly Cleaned
Easily and Quickly Change Flow Rate

- * Improved quality of parts through precise water control,
 - * Can be used with Ethylene & Propylene Glycol,
 - * Quick and easy reproduce able settings when changing molds,
 - * Heavy duty construction, long life,
 - * Easy mounting on any make or model of machine,
 - * Saves energy from faster startups,
 - * Temp. gauge for each tube,
 - * Flow tubes : Special polyamide nylon material (not polycarbonate) adjustable reference ring and contains brass float cone.
- Reference marks are molded-in, not printed on.
Removes easily for cleaning

RETURN TO TOWER

Outlet 
3/4 PT OR NPT
FEMALE

FROM TOWER

Inlet 

RETURN FROM MOLD

TO MOLD 



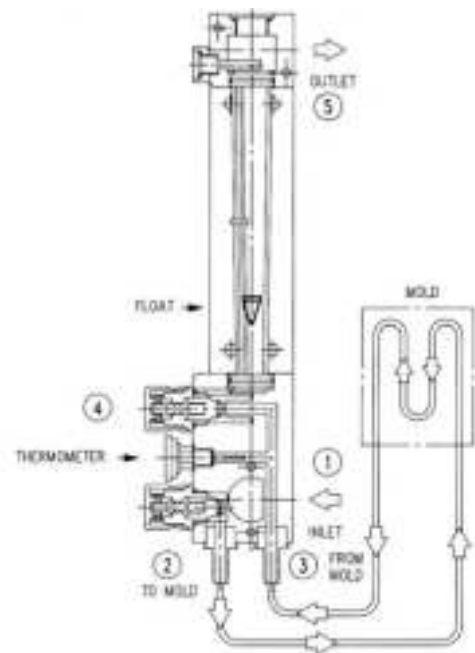

INSTALLATION INSTRUCTIONS FOR **FSML** WATER FLOW METER

BENEFITS OF THE MODEL **FSML** WATER FLOW METER WATER FLOW REGULATOR

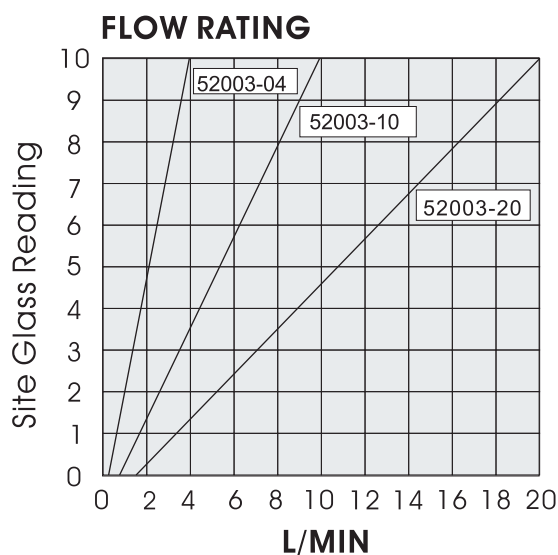
- A. ONE SIZE DOES ALL 4, 10, 20, L/MIN
- B. GLASS FILLED NYLON CONSTRUCTION, NO RUSTING OR CHEMICAL CORROSION
- C. EASILY CLEANING WITH REMOVE FLOW TUBE NUT & BRUSH CLEAN OUTSIDE
- D. NUMBERS OF ZONE CAN BE INCREASED OR REDUCED EASILY, REQUIRING NO SPECIAL TOOLS
- E. FLOW ZONE CONTROL KNOBS CAN BE LOCKED
- F. THERMOMETER IS STANDARD ON EACH ZONE
- G. FLOW INDICATOR IS STANDARD ON EACH ZONE
- H. TUBES ARE MADE FROM NYLON 12

HERE 'S HOW IT WORK

- A. TOWER WATER ETC. IS PIPED TO WATER INLET ① .
- B. FLUID ② FLOWS DIRECTLY TO MOLD THROUGH FITINGS.
- C. AFTER CIRCULATING THROUGH MOLD CHANNELS. FLUID IS DIRECTED UP SIGHT TUBE THROUGH FITTING ③ AND REGULATED BY CONTROL VALVE ④ .
- D. FLUID IS THEN RETURNED TO TOWER, CHILLER OR TEMPERATURE CONTROLLER THROUGH OUTLET ⑤ .



NOTE :
ALL MODELS CAN USED SAFELY WITH ETHYLENE & PROPYLENE GLYCOL



PLASTIC CONE

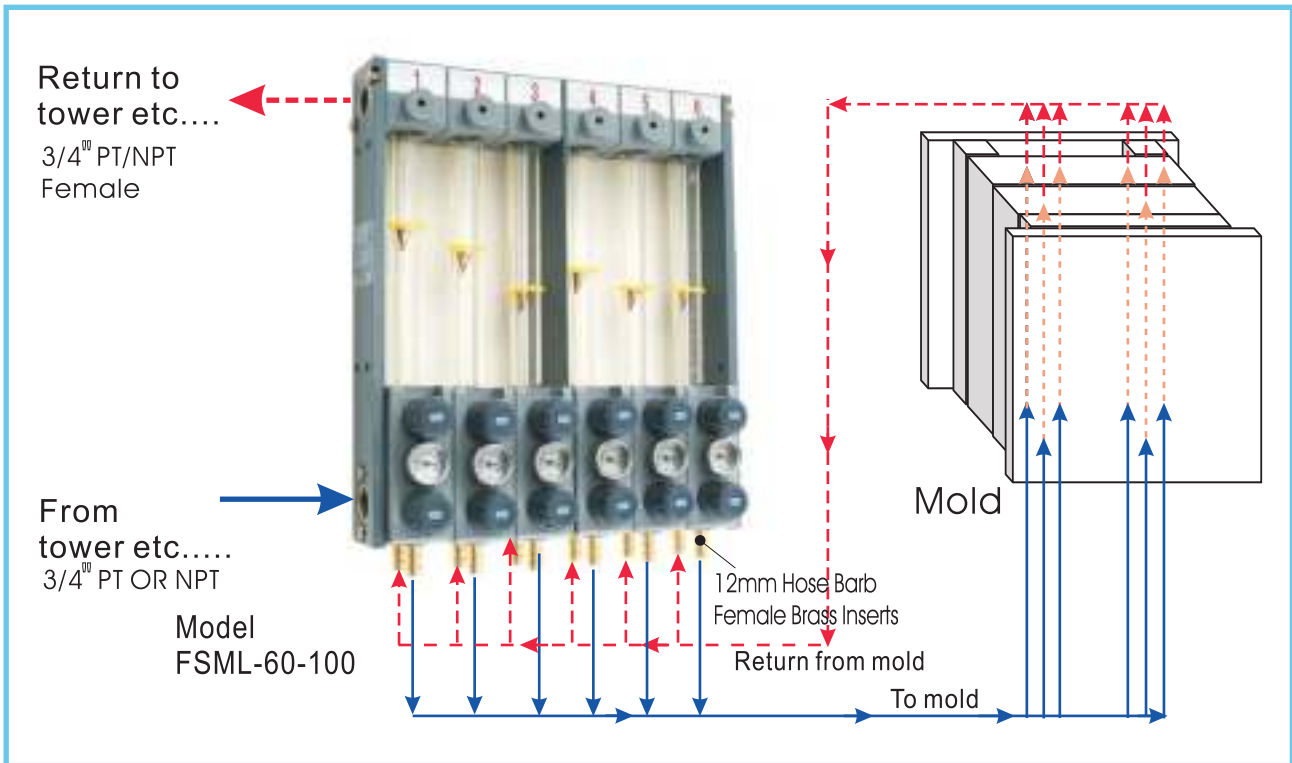


BRASS CONES



INSTALLATION INSTRUCTIONS FOR **FSML** WATER FLOW METER

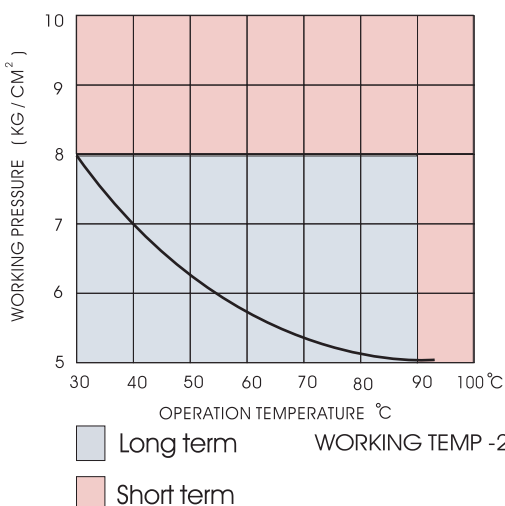
Piping



STANDARD MODEL *

FSML- 20-040	* FSML- 20-100	FSML- 20-200
FSML- 30-040	* FSML- 30-100	FSML- 30-200
FSML- 40-040	* FSML- 40-100	FSML- 40-200
FSML- 50-040	* FSML- 50-100	FSML- 50-200
FSML- 60-040	* FSML- 60-100	FSML- 60-200
FSML- 80-040	* FSML- 80-100	FSML- 80-200
FSML- 100-040	* FSML- 100-100	FSML- 100-200
FSML- 120-040	* FSML- 120-100	FSML- 120-200

PRESSURE VS TEMPERATURE



FSML-40-100

Flow per each zone 10 L/Min
12 MM HOSE BARB
Four zone per unit (4 Zone)
Flow System Matic

FSML-80-200

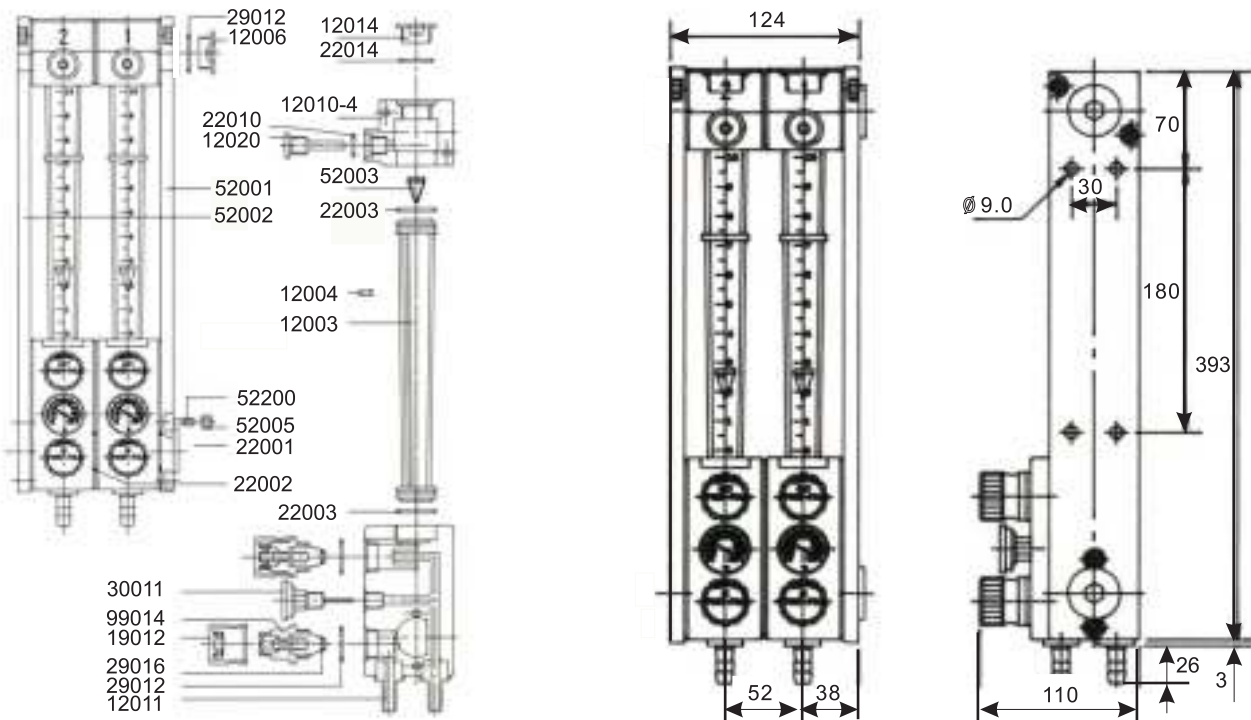
Flow per each zone 20 L/Min
12 MM HOSE BARB
8 zone per unit (8 Zone)
Flow System Matic

Invotec Water Flow Regulator (FSML)

www.invotecsolutions.co.uk - sales@invotecsolutions.co.uk

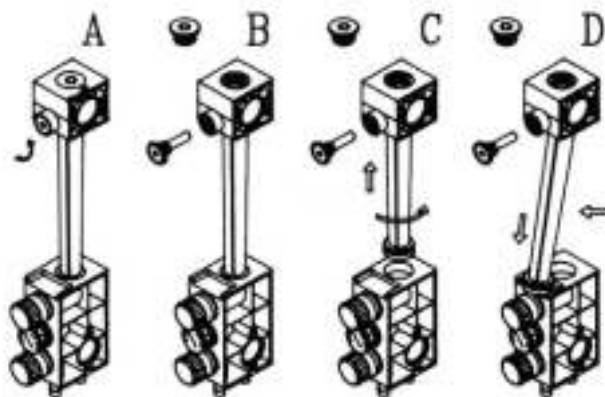


Heavy duty construction for long life.



Part No.	Description	Part No.	Description
12011	Lower Housing	22005	O-Ring
12010-4	Upper Housing	29012	O-Ring
12003	Sight Glass	29016	O-Ring
12003-30	Sight Glass 30L	30011	Thermometer
12004	Reference Ring	52001	R. Side Plate
12020	Fixed Plug	52002	L. Side Plate
12006	Plug 3/4" NPT	52200	Screw
19012	Hand Wheel	52003	Float Cone
99014	Control Valve	12014	Plug
22001	O-Ring	22010	O-Ring
22002	O-Ring	52500	Mid Plate
22003	O-Ring	59061	Brush
22004	O-Ring		

MODEL	OVERALL SIZE		
	Dmm	Wmm	Hmm
FSML-20	125	110	422
FSML-30	178	110	422
FSML-40	228	110	422
FSML-50	282	110	422
FSML-60	333	110	422
FSML-80	442	110	422
FSML-100	545	110	422
FSML-120	650	110	422



Operation Instructions Cleaning & Removal of Sight Glass

- A. Remove "Top Plug" & "Fixed Plug" .
- B. To clean put Brush into Sight Tube through "Top Plug" hole Brush Up & Down.
- c. To Remove Sight Tube after carry out "C"
Rotate Sight Tube 180 & push it up a short way.
- D. Now pull it down & out towards yourself.